



Propak



Specifically developed for lamppost protection, with a closed arch and access door passageway.

Special versions available for protected spaces and junction boxes.

Thick steel for exceptional robustness.

Single or double arch.

Excellent resistance to deformation and oxidation.

Polyester paint on request.

ADVANTAGES

Specific protective arches for lampposts, protected spaces or junction boxes.

Made from galvanised steel and highly robust.

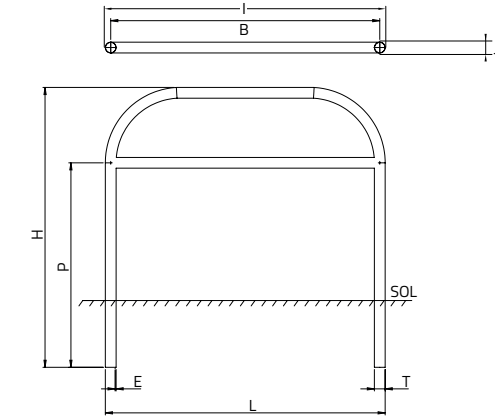
TECHNICAL CHARACTERISTICS

- Up to 3 mm thick.
- Hot-galvanised steel tube (inside and outside).
- Galvanizing after bending, welding and drilling.
- 1 rayonne: 150 mm.
- 2 versions: single or double arch.
- 2 heights: 800 mm and 1300 mm.
- Special dimensions and applications: please contact us.
- Optional: RAL paint requested by the customer.

	Propak	R	E	H	P	T	A	B	Max. footprint on the ground (l x j)	Weight (kg)
Single arch	549S-800	150	2	800	451	Ø48	650	500	750 x 600	9
	549S-1300	150	3	1275	451	Ø48	580	500	680 x 600	16
	760S-1300	150	3	1275	500	Ø60	810	560	910 x 660	24
Double arch	549D-1300	150	3	1275	451	Ø48	580	500	680 x 600	20
	760D-1300	150	3	1275	500	Ø60	810	560	910 x 660	31

Dimensions (mm)

Propak Plans



	Propak Plans	L	H	B	E	T	P	Max. footprint on the ground (l x j)	Weight (kg)
Single arch	600S-850	663	855	613	2	Ø50	/	713 x 100	5
	1250S-850	1300	855	1250	2	Ø50	/	1350 x 100	6
Double arch	600D-1300	663	1300	613	2	Ø50	950	713 x 100	8
	1250D-1300	1300	1300	1250	2	Ø50	950	1350 x 100	12

Dimensions (mm)