



JUNCTION BOXES

Interpak

IP44-IK08

Class 2

Patented components



The lamppost junction box designed with 3 stages to increase enclosing capacity in posts with a minimum internal diameter of 110 mm.

Interpak can accept up to two 35mm² network cables or three 25mm² network cables and four lighting fixture cables.

Protective cone for frontal insertion of power cables.

Additional intermediate support, for extra functions.

Open sides and stiffened back to facilitate connection.

Two independent covers for easy opening even when the box is offset from the door.

Bottom cover clipped onto the base of the box for secure maintenance.

ADVANTAGES

Terminal block support can be removed tool-free and adjusted over 80mm via a rack system, for easy connection and quick maintenance on site.

Transparent top cover, to facilitate visual inspection and access to protective devices. Locking by ¼ turn captive screw.

Tool-free mounting by brackets adjustable over 120mm, or with M6 screw.

TECHNICAL CHARACTERISTICS

Max. capacity

- Up to 2 x 5G25mm² or 4 x 35mm² network cables.
- Up to 3 x 5G16mm² or 4 x 25mm² network cables.
- Up to 4 x 3G2.5mm² rigid lighting fixture cables.

Casing

- Polycarbonate, self-extinguishing.
- IP44 in accordance with IEC 60529 (open junction box: IP2X).
- IK08 in accordance with EN 62262.
- Class 2 (can also be supplied with insulated earth terminal).
- -40°C to +130°C.

Product standards

- EN 61439-2.

Installation standards

- NF C17-200 and associated guides.

Standard colour

- Please contact us for other colours.

Mounting

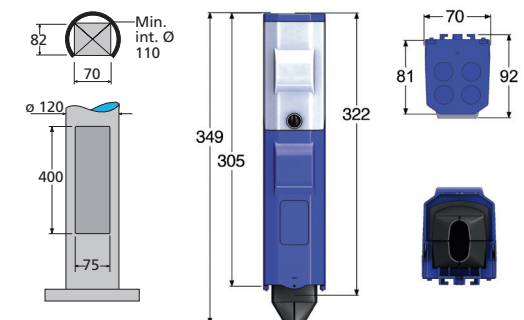
- Fixing bracket 1 or 2 hooks.
- Possible vertical rail mounting with M6 screws.

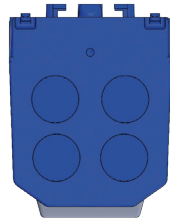
Optional

- Terminal block: marking of the terminals to facilitate maintenance.

Delivery

- Pre-wired with high-temperature silicone-coated wires and crimped lugs.
- Supplied with cartridge fuses, configuration labels and cable clamp.





LIGHTING FIXTURE OUTPUT CABLES

Via the bottom (Standard) or top (Optional).

Main configurations

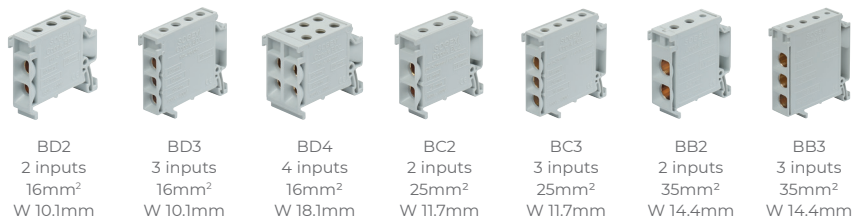
| | Standard | Options | |
|-----------------|----------------------|---------------------------------------|--------------------------------|
| | | TET | Cable glands |
| Via the BOT-TOM | 2 cables (7 to 10mm) | - | - |
| Via the TOP | - | 4 cables (7 to 10mm - 4 x TET 7/10) | 4 cables (6 to 12mm - 4 x M20) |
| | | 4 cables (10 to 14mm - 4 x TET 10/14) | 1 cable (9 to 17mm - 1 x M25) |

INTERMEDIATE ZONE - Max. combinations recommended

| | | ∅ | ID W 36mm | PFM W 18mm | IDIL W 28mm | ST2 W 28mm |
|----------|--------|-----------|--------------|---------------|----------------|---------------|
| ∅ | | - | 1ID | 3PFM | 2IDIL | 2ST2 |
| FP or FN | W 18mm | 1FP + 1FN | - | 1FP+1FN+1PFM | - | - |
| FPN | W 18mm | 3FPN | 1FPN + 1ID | 1FPN + 1PFM | 1FPN + 1IDIL | 1FPN + 1ST2 |
| F2P | W 36mm | 1F2P | - | - | - | - |
| DPN | W 18mm | 2DPN | 1DPN + 1ID | 1DPN + 1PFM | 1DPN + 1IDIL | 1DPN + 1ST2 |
| D2P | W 36mm | 1D2P | - | - | - | - |
| DDR | W 36mm | 1DDR | - | 1DDR + 1PFM | - | - |

Usable width of the intermediate zone: 62mm.

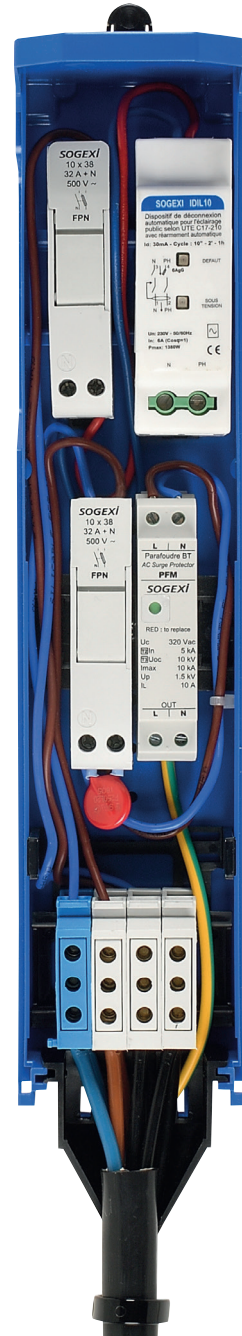
CONNECTION - Integrated terminals



Main max. configurations

| | ≤ 16mm² | ≤ 25mm² | ≤ 35mm² |
|------------------|----------------------|----------------------|----------------------|
| 2 network cables | 5 BD2 terminals max. | 5 BC2 terminals max. | 4 BB2 terminals max. |
| 3 network cables | 5 BD3 terminals max. | 5 BC3 terminals max. | 4 BB3 terminals max. |

Usable width of the connection zone: 60mm.



PROTECTIONS & DEVICES - Max. volume available (mm): W 63 x D 65/78 x H 86



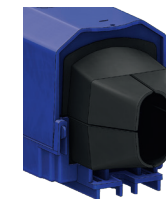
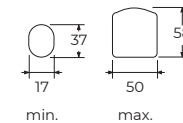
FP, FN, FPN, F2P DPN, D2P ID DDR PFM, PFG IDIL-10 ST2
W 18/36mm W 18/36mm W 36mm W 36mm W 18mm W 28mm W 28mm

Max. recommended combinations

| | | ∅ | ID W 36mm | PFM W 18mm | IDIL W 28mm | ST2 W 28mm |
|----------|--------|-----------|--------------|---------------|----------------|---------------|
| FP or FN | W 18mm | 1FP + 1FN | - | 1FP+1FN+1PFM | - | - |
| FPN | W 18mm | 3FPN | 1FPN + 1ID | 1FPN + 1PFM | 1FPN + 1IDIL | 1FPN + 1ST2 |
| F2P | W 36mm | 1F2P | - | - | - | - |
| DPN | W 18mm | 2DPN | 1DPN + 1ID | 1DPN + 1PFM | 1DPN + 1IDIL | 1DPN + 1ST2 |
| D2P | W 36mm | 1D2P | - | - | - | - |
| DDR | W 36mm | 1DDR | - | 1DDR + 1PFM | - | - |

Usable width of the protection zone: 63mm.

NETWORK CABLES



Main max. configurations

| | 4x 16mm² | 5G 16mm² | 4x 25mm² | 5G 25mm² | 4x 35mm² | 5G 35mm² |
|----------|-------------|-------------|-------------|-------------|-------------|-------------|
| 2 cables | ● | ● | ● | ● | ● | - |
| 3 cables | ● | ● | ● | ●* | ●* | - |

* Limit configurations: tight wiring.