



JUNCTION BOXES

Citypak

IP44-IK08

Class 2

Patented components



The lamppost junction box that is entirely dedicated to smart lighting for posts with a min. inside diameter of 84 mm*.

The Citypak can connect up to 2 x 25 mm² network cables or 3 x 16 mm² network cables and 2 lighting fixture cable outputs.

Up to 4 functions at the same time (connecting, protecting, managing and detecting): flexibility and scalability for smart lighting.

Open sides and stiffened back to facilitate connection.

Bottom cover easily fitted for secure maintenance of the connections.

Protective flexible cone to allow power cables to be inserted through the front.

ADVANTAGES

Three stages: the highest enclosing capacity on the market for small posts.

Long transparent top cover to view and access two stages of protections.

Fixing bracket, tool-free adjustment over 170 mm, with rear hooking.

TECHNICAL CHARACTERISTICS

Max. capacity

- Up to 2 network cables, 4 x 25 mm².
- Up to 3 x 5G16 mm² network cables.
- Up to 2 x 3G2.5 mm² lighting fixture cables.

Casing

- Polycarbonate, self-extinguishing.
- IP44 in accordance with IEC 60529 (open junction box: IP2X).
- IK08 in accordance with EN 62262.
- Class 2.
- -40°C to +130°C.

Product standards

- EN 61439-2.

Installation standards

- NF C17-200 and associated guides.

Standard colour:

- Please contact us for other colours.

Mounting:

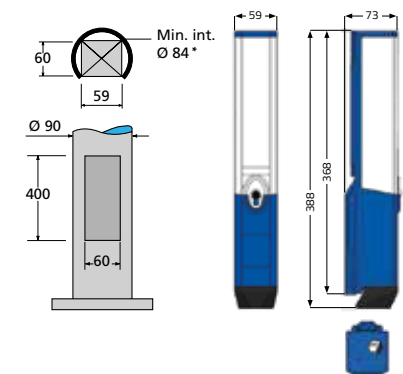
- 1-hook mounting lug.
- Possible vertical rail mounting with M6 screws.

Optional:

- Terminal block: marking of the terminals to facilitate maintenance.

Delivery:

- Pre-wired with high-temperature silicone-coated wires and crimped lugs.
- Supplied with cartridge fuses, configuration labels and cable clamp.



* For vertical rail (rail-C): Min. int. Ø 89 mm.

LIGHTING FIXTURE OUTPUT CABLES

Via the bottom or the top (standard).



Main configurations

	Standard	Options	
		TET	Cable glands
Via the BOTTOM	2 cables (7 to 14 mm)	-	-
Via the TOP	1 cable (7 to 10 mm - TET 7/10)	2 cables (7 to 10 mm - 2 x TET 7/10)	2 cables (6 to 12 mm - 2 x M20)
		2 cables (10 to 14 mm - 2 x TET 10/14)	1 cable (9 to 17 mm - 1 x M25)

CONNECTION - Integrated terminals and terminal blocks



BE2 terminal block
2 to 4 x 2 inputs, 10 mm²
W 37 mm



BE3 terminal block
2 to 4 x 3 inputs, 10 mm²
W 39 mm



BD2 terminal block
2 to 4 x 2 inputs, 16 mm²
W 43 mm



BD3 terminal block
2 to 4 x 3 inputs, 16 mm²
W 43 mm



BD2
2 x 16 mm² inputs
W 10.1 mm



BD3
3 x 16 mm² inputs
W 10.1 mm



BD4
4 x 16 mm² inputs
W 18.1 mm



BC2
2 x 25 mm² inputs
W 11.7 mm

Main max. configurations

	≤ 16 mm ²	≤ 25 mm ²
2 network cables	4BD2 terminal block max. or 5 BD2 terminals max.	4 BC2 terminals max.
3 network cables	4BD3 terminal block max. or 5 BD3 terminals max.	-

Usable width of the connection zone: 54 mm.



PROTECTIONS & DEVICES - Max. volume available (mm): W 54 x D 48 x H 86



FP, FN, FPN
W 18 mm



F2P
W 36 mm



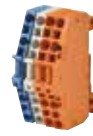
PFM
W 18 mm



IDIL-10
W 28 mm



ST2
W 28 mm



4R4
W 23 mm

Max. recommended combinations

		∅	PFM W 18 mm	IDIL W 28 mm	ST2 W 28 mm
FP or FN	W 18 mm	1FP + 1FN	(FP + FN) + 1PFM**	-	-
FPN	W 18 mm	3FPN**	2FPN + 1PFM**	1FPN + 1IDIL	1FPN + 1ST2
F2P	W 36 mm	1F2P	1F2P + 1PFM**	-	-

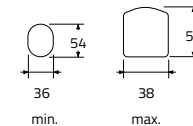
Usable width of the protection zone: 54 mm.

INTERMEDIATE ZONE - Max. combinations recommended

		∅	PFM W 18 mm	IDIL W 28 mm	ST2 W 28 mm
FP or FN	W 18 mm	1FP + 1FN	(FP + FN) + 1PFM**	-	-
FPN	W 18 mm	3FPN**	2FPN + 1PFM**	1FPN + 1IDIL	1FPN + 1ST2
F2P	W 36 mm	1F2P	1F2P + 1PFM**	-	-

Usable width of the intermediate zone: 54 mm.

NETWORK CABLES



Main max. configurations

	4X 10 mm ²	5G 10 mm ²	4X 16 mm ²	5G 16 mm ²	4X 25 mm ²	5G 25 mm ²	Lighting fixture cables
2 cables	●	●	●	●	●*	-	1
2 cables	●	●	●	●	●*	-	2
3 cables	●	●	●	●**	-	-	1
3 cables	●	●	●	●**	-	-	2

* With max. 3G 1.5 mm² rigid lighting fixture cable.

** Limit configurations: tight wiring.