



JUNCTION BOXES

Minipak



IP44-IK08

Class 2

Patented components



MPB

MPH

The benchmark in lamppost base junction boxes, for posts with very small cross-sections: int. Ø 70mm min.

The Minipak can connect up to 3 x 10mm² network cables or 2 x 16mm² network cables and 2 lighting fixture cables.

Open sides and stiffened back to facilitate connection.

Bottom cover easily fitted for secure maintenance of the protective devices.

Protective flexible cone to allow power cables to be inserted through the front.

Available in 2 versions: with lamp output via the bottom (MPB) or the top (MPH).

ADVANTAGES

Very compact.

Extractable terminal blocks with centring stud and fastening screws.

Transparent top cover to view and access protective devices. Central locking by ¼ turn captive screw.

Bracket on bar, tool-free adjustment over 110mm, with front or rear hooking.

TECHNICAL CHARACTERISTICS

Max. capacity

- Up to 3 x 10mm² network cables.
- Up to 2 x 16mm² network cables.
- Up to 2 x 3G1.5mm² rigid lighting fixture cables.

Casing

- Polycarbonate, self-extinguishing.
- IP44 in accordance with IEC 60529 (open junction box: IP2X).
- IK08 in accordance with EN 62262.
- Class 2 (can also be supplied with insulated earth terminal).

Product standards

- EN 61439-2.

Installation standards

- NF C17-200 and associated guides.

Standard colour



- Please contact us for other colours.

Mounting

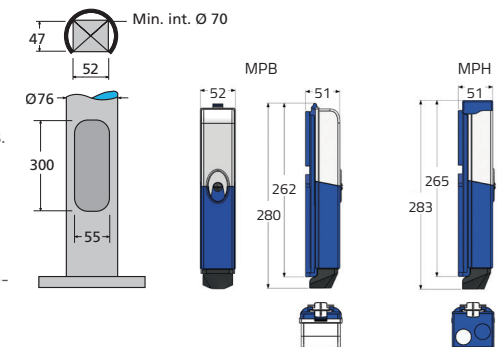
- Fixing bracket 1 or 2 hooks.
- Possible vertical rail mounting with M6 screws.

Optional

- Terminal block: marking of the terminals to facilitate maintenance.

Delivery

- Pre-wired with high-temperature silicone-coated wires and crimped lugs.
- Supplied with cartridge fuses and configuration labels.



LIGHTING FIXTURE OUTPUT CABLES

Via the bottom (MPB) or top (MPH).



MPB
Output at the bottom of the junction box



MPH
Output at the top of the junction box

Main configurations

	Standard	Options	
		TET	Cable glands
Via the BOTTOM (MPB)	2 cables (7 to 10mm)	-	-
Via the TOP (MPH)	1 cable (TET / 7 to 10mm)	2 cables (2 TET / 7 to 10mm)	2 cables (2 PGI1 / 5 to 10mm)

CONNECTION - Integrated terminal blocks



BE2 terminal block
2 to 4 x 2 inputs, 10mm²
W 37mm



BE3 terminal block
2 to 4 x 3 inputs, 10mm²
W 39mm



BD2 terminal block
2 to 4 x 2 inputs, 16mm²
W 43mm

Main max. configurations

	≤ 10 mm ²	≤ 16 mm ²
2 network cables	4BE2 terminal block max	4BD2 terminal block max.
3 network cables	4BE3 terminal block max	-

Usable width of the connection zone: 43mm.



PROTECTIONS & DEVICES - Max. volume available (mm): W 42 x D 41 x H 86



FP, FN
W 18mm



FPN
W 18mm



F2P
W 36mm



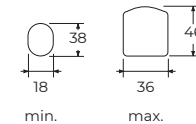
PFM
W 18mm

Max. recommended combinations

		∅	ID W 36mm	PFM W 18mm	IDIL W 28mm	ST2 W 28mm
FP or FN	W 18mm	1FP + 1FN	-	-	-	-
FPN	W 18mm	2FPN	-	1FPN + 1PFM	-	-
F2P	W 36mm	1F2P	-	-	-	-

Usable width of the protection zone: 42mm.

NETWORK CABLES



min.

max.



Main max. configurations

	4x 6mm ²	5G 6mm ²	4x 10mm ²	5G 10mm ²	4x 16mm ²	5G 16mm ²	Lighting fixture cables
2 cables	●	●*	●	-	●	-	1
2 cables	●	●*	●	-	●	-	2
3 cables	●	-	●	-	-	-	1
3 cables	●**	-	●**	-	-	-	2

* Limit configurations: tight wiring.

** Recommended in MPH version.